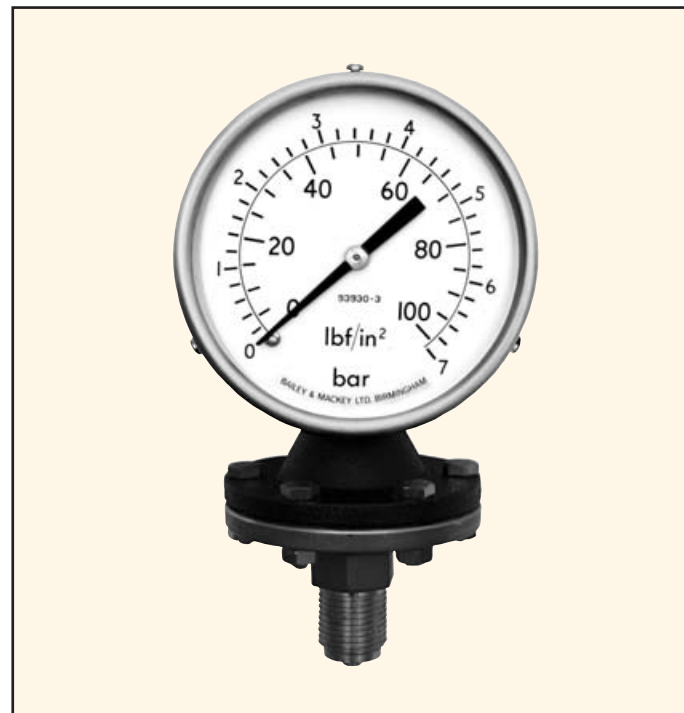


Type 70, 70A & 70B Diaphragm Pressure Gauges

- 100 and 160 mm Diameter
- Maximum Pressure 40 bar
- Maximum Vacuum 1 bar
- Combined Pressure & Vacuum
- All Metal Construction

- ▶ Type 70 is Direct Mounting Bottom Connection
- ▶ Type 70A is Panel Mounting Centre Back Connection 3 Hole Fixing
- ▶ Type 70B is Panel Mounting Centre Back Connection Clamp Fixing
- ▶ For Stainless Steel Add a Suffix S to the above part numbers
- ▶ For Glycerine Filled Gauges Add a Suffix G to the above part numbers



Standard Calibrations

0 to -1 bar	or	0 to 30 inches water
0 to 1 bar	or	0 to 15 lbf/in ²
0 to 1.6 bar	or	0 to 30 lbf/in ²
0 to 2.5 bar	or	0 to 60 lbf/in ²
0 to 4 bar	or	0 to 100 lbf/in ²
0 to 6 bar	or	0 to 160 lbf/in ²
0 to 10 bar	or	0 to 200 lbf/in ²
0 to 16 bar	or	0 to 300 lbf/in ²
0 to 25 bar	or	0 to 400 lbf/in ²
0 to 40 bar	or	0 to 600 lbf/in ²

For Lower Pressures see page 4.

Special Dial Markings

Dials calibrated in other pressure units such as kN/m², MN/m², kPa, Kg/cm², cm water, meters of water, cm Hg, inches Hg etc single scale, dual scale or with square root markings can be supplied if required. An extra charge is made for special dial marking, dependent on the costs involved.

Combined Pressure and Vacuum

Gauges with dials marked positive and negative relative to atmospheric pressure to indicate pressure and vacuum on the same instrument can be supplied.

NOTE: Absolute Pressure Gauges are not available from Bailey & Mackey.

Accuracy ± 1.5% of Maximum Scale Value

Temperature

Coefficient 0.07% of range per 0°C from 20°C

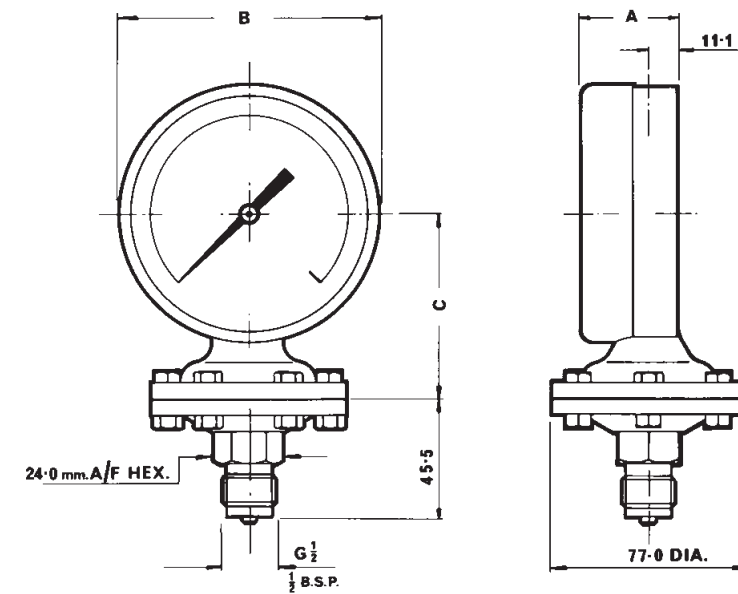
For Alternative Connections See Page 11.

For alternative Wetted Parts see Page 12.

For Variants see Page 13, 14 and 15.

Diaphragm Pressure Gauges Type 70, 70A & 70B

Type 70 Pressure Gauge Direct Mounting Bottom Connection



Nominal Size	A	B	C	Weight
100mm	38mm	103mm	74.6mm	1.0kg
160mm	43mm	151mm	99mm	1.1kg

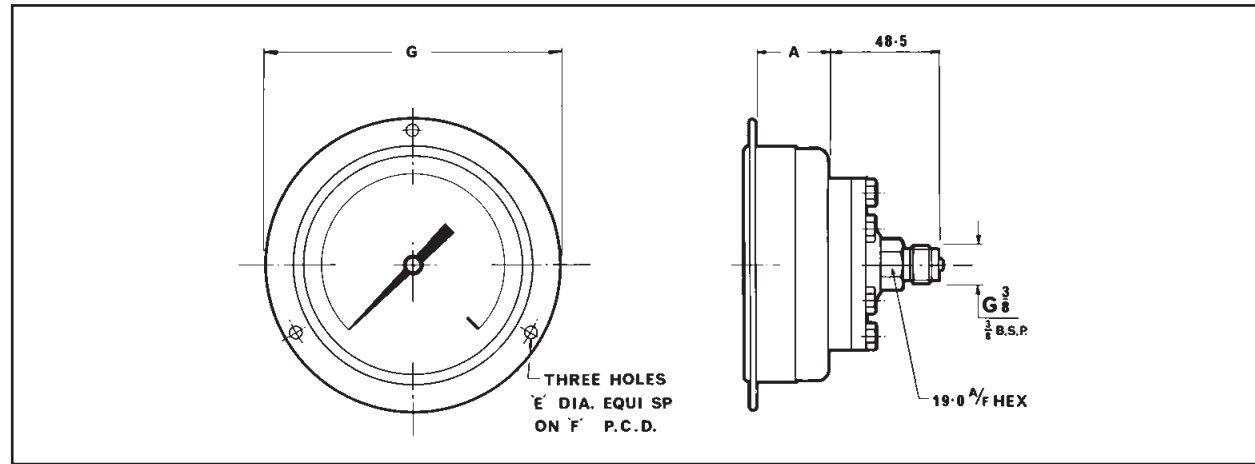
Standard Materials of Construction

Case 100mm Gauge Mild Steel Case with Brass Bezel Black Enamelled
 160mm Gauge Aluminium Case with Brass Bezel Black Enamelled

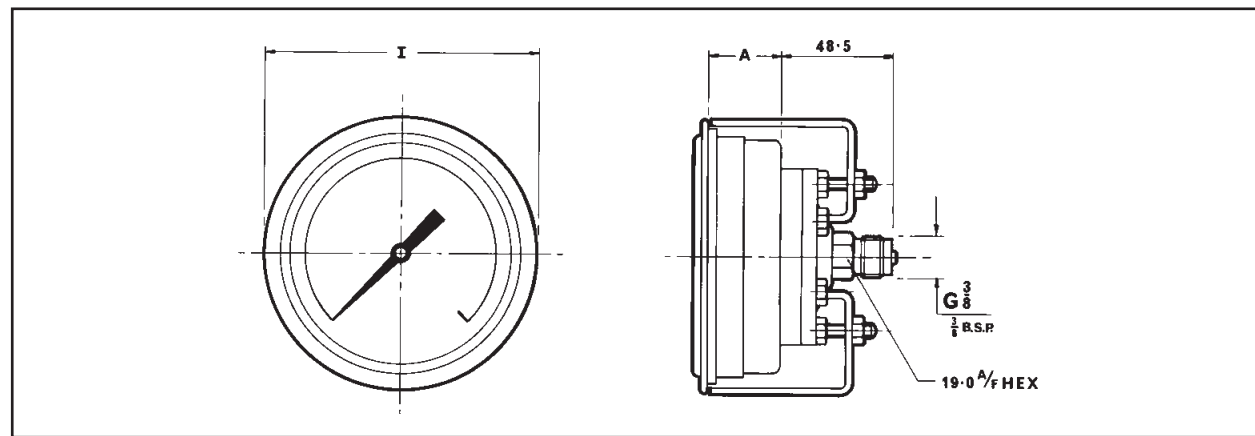
Pressure Chamber Brass Base with Beryllium Copper Diaphragm

Pressure Gauge Panel Mounting

Type 70A 3 Hole Fixing



Type 70B Clamp Fixing



Nominal Size	A	E	F	G	I	No of Clamps	Panel Cut-out	Weight
80mm	27.7mm	4.8mm	94mm	102mm	95mm	2	86.8mm	0.56kg
100mm	41.7mm	5.2mm	121mm	134mm	120mm	2	112mm	1.0kg
160mm	49.5mm	5.2mm	175mm	184mm	169mm	3	165mm	1.7mm

Materials of Construction

Case 100mm Gauge Zinc Diecast Case and Brass Bezel Black Enamelled
160mm Gauge Aluminium Case and Bezel Black Enamelled

Alternatively 304 Stainless Steel Case & Bezel (Not Available in Type 70A)

Pressure Chamber Brass Pressure Chamber with Beryllium Copper Diaphragm

Alternatively A.S.A. 321 Stainless Steel Pressure Chamber
with 17/7 P.H. Stainless Steel Diaphragm

Alternative Base Fittings

Items A, B and C show flange fittings which can be supplied in either Mild Steel or 316 Stainless Steel. These are particularly useful on plant pumping viscous liquids or powders or where the gauge has to be removed for cleaning.

Flanges to ASA standards are also available. This is not an exhaustive illustration – Please enquire for the alternative that you need.

